

ELMDENE INTERNATIONAL LIMITED
 3 KEEL CLOSE
 INTERCHANGE PARK
 PORTSMOUTH
 HAMPSHIRE
 PO3 5QD, UK

TEL: +44 (0) 23 9269 6638
 FAX: +44 (0) 23 9266 0483

www.elmdene.co.uk



QST Parallel* Contact Wiring Guide

* See product label for built in EOL resistors

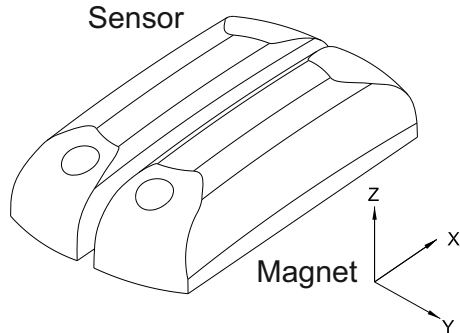
Product designed to meet the requirements of EN50131-2-6:2008 **Grade 2** and Environmental **Class II**. Suitable for use in systems designed to comply with PD6662:2017.

Features

- Configurable for Fully Supervised Loop (FSL) & Double Pole wiring
- Surface terminal contact
- Built-In EOL resistors

Parallel Configuration

Elmdene Blue coded 8K2 / 8K2
 Resistors suitable for Guardall control panels.



Operating Distances

Switch mounted on
 Non-Ferrous Surface
 (e.g. Wood, PVC, Aluminum)

+ Switch mounted on
 Ferrous Surface
 (e.g. Iron, Steel)

		Switch mounted on Non-Ferrous Surface (e.g. Wood, PVC, Aluminum)	+ Switch mounted on Ferrous Surface (e.g. Iron, Steel)
Y	Min Close (mm)	17	8
	Max Open (mm)	29	16
+/- X	Min Close (mm)	10	6 [#]
	Max Open (mm)	16	13 [#]
Z	Min Close (mm)	20	12 [#]
	Max Open (mm)	35	25 [#]

[#] For guidance purposes only, [#] At Y = 6mm

Unit can be wired in the following formats:

1. Fully supervised loop, single leaf door configuration:
2. Fully supervised loop, double leaf doors configuration:
3. Standard double pole wiring, single leaf door configuration:
4. Standard double pole wiring, double leaf door configuration:

Figure 1
 Figure 2
 Figure 3
 Figure 4

FSL/EOL

Figure 1 - **Single** Leaf Door Arrangement
Shunt Resistor + End Of Line Resistor (Parallel)

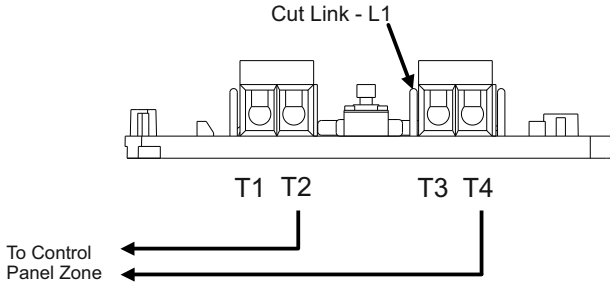
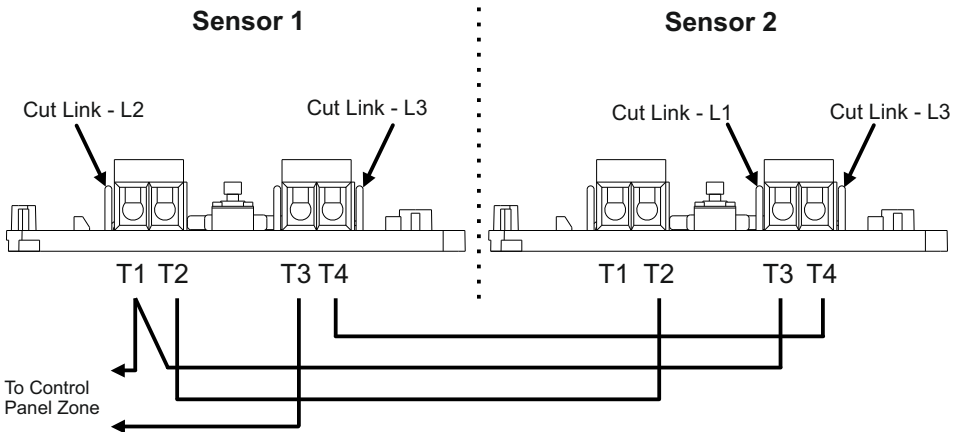


Figure 2 - **Double** Leaf Door Arrangement
Shunt Resistors + End Of Line Resistor (Parallel) _



Double Pole

Figure 3 **Single Leaf Door Arrangement**

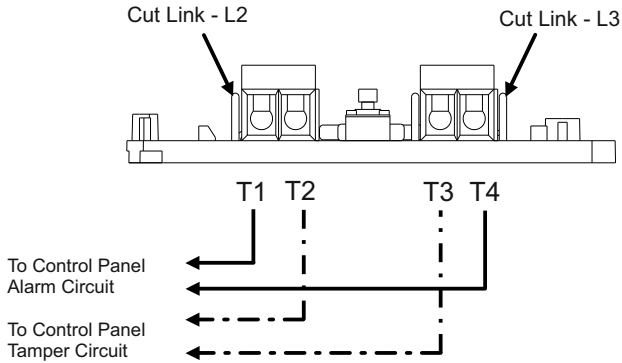
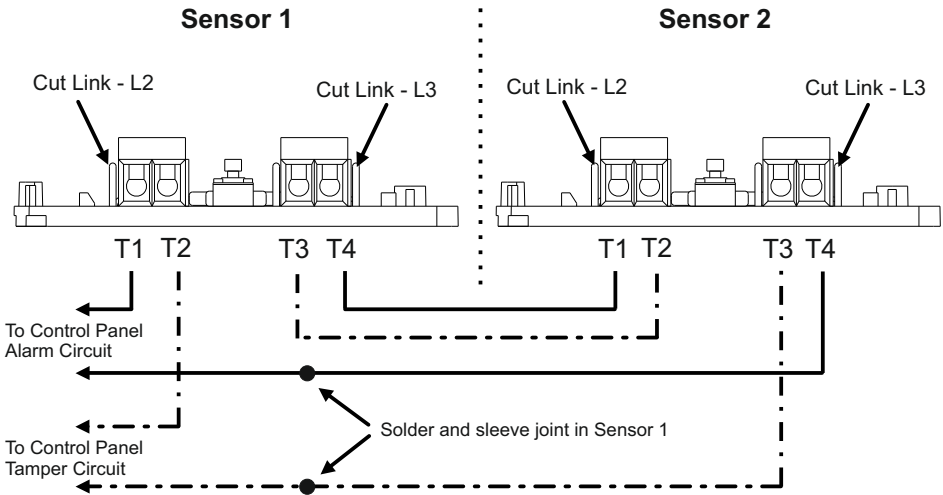


Figure 4 - **Double Leaf Door Arrangement**



Specifications

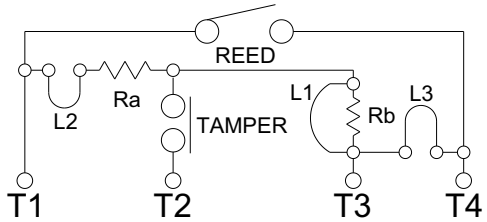
Contact

Material	Rhodium
Power Handling	10VA
Voltage Rating	100Vdc, 150Vac Max
Current Rating - switch	1.0A Max
Current Rating - carry	1.5A Max
Resistance	<300mohms
Operating Life	>1 x 10 ⁷ operations

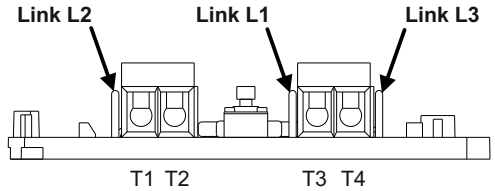
Housing

Material	Plastic - ABS
Sensor Dimension	70 x 17 x 15mm
Sensor - Fixing Dimensions	52 mm centres
Mounting Screws	M3
Magnet Dimensions	70 x 17 x 15mm
Magnet - Fixing Dimensions	52 mm centres
Mounting Screws	M3
IP Rating	IP40
Temperature Range	-10°C to+40°C

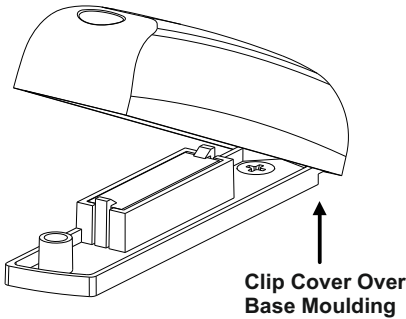
Circuit Diagram



Terminals



Lid Attachment



Fixing Positions

