

ELMDENE

Protecting People & Property

Elmdene International Ltd
3 Keel Close, Interchange Park,
Portsmouth, Hampshire, PO3 5QD, UK

Tel: +44(0)23 9269 6638
Fax: +44(0)23 9266 0483
Web: www.elmdene.co.uk

SHD range Surface Magnetic Contact

FEATURES

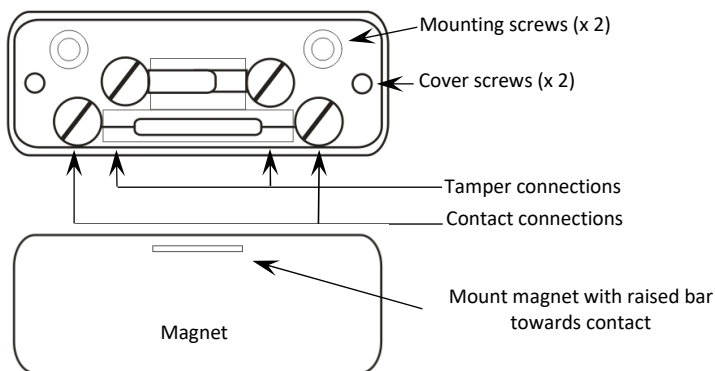
The SHD range of large surface mounted contacts feature a robust ABS body with four internal terminal connections for installation wiring. The switching element features long life rhodium contacts.

COMPLIANCE

This product is designed to meet the requirements of EN50131-2-6:2008 **Grade 2** and Environmental **Class II**. Suitable for use in systems designed to comply with **PD6662:2017**.

INSTALLATION

The Contact and Magnet should be fitted with minimum gap between them and ideally no more than about half the total operating gap. See drawings below for typical positioning and orientation.



SPECIFICATION

| | |
|----------------------------------|---|
| Housing Material | ABS |
| EN50131-2-6 Grade | 2 |
| Environmental Class / IP rating | II / IP43 |
| IK Rating | IK07 |
| Voltage Rating | 100V dc |
| Power Rating | 10VA |
| Current Rating (Switch) | 1A |
| Current Rating (Carry) | 1.5A |
| Closing Gap (Minimum) | 12mm |
| Contact / Magnet Dimensions (mm) | 61(L) x 23(W) x 14(D) |
| Fixing | Contact & Magnet each require 2x screws |
| Temperature Range | -25°C to +50°C |
| Humidity | 95% RH non-condensing |